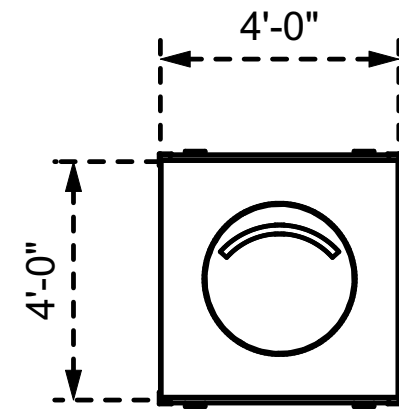
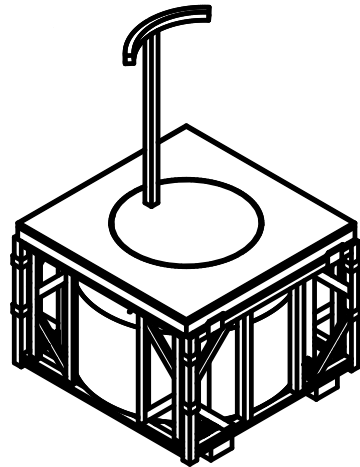


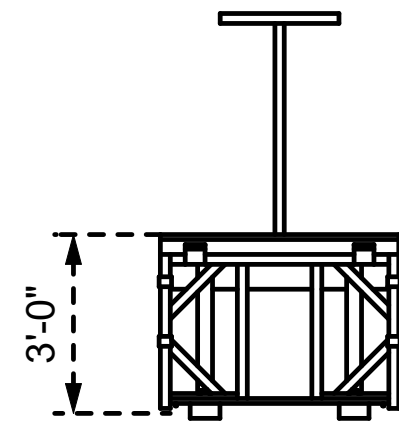
Note: Remote and limit switches available.



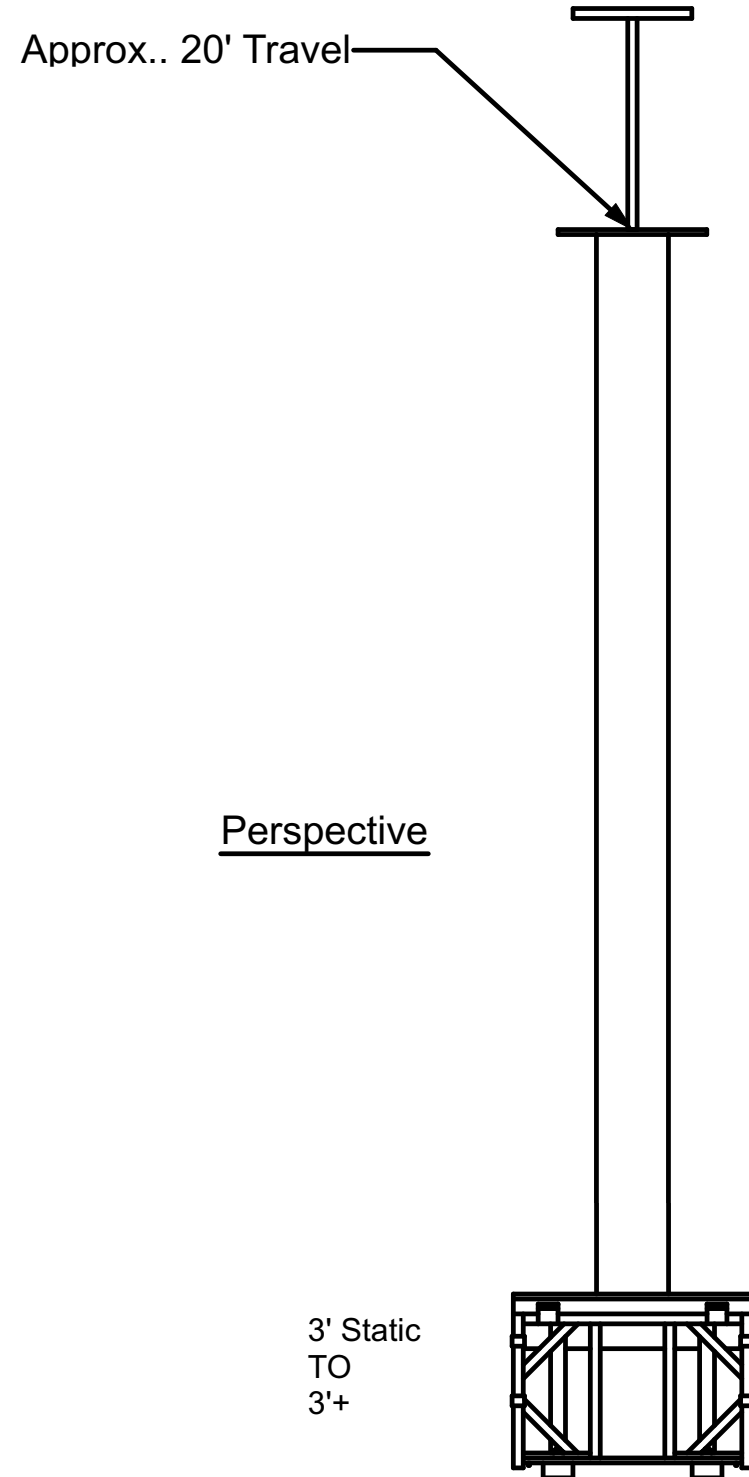
Top Plan



Iso View



Front View



Perspective

Power: 208 power 3 phase
Approx Unit Weight: 1,200 lbs

Project Name: Lifts	Drawing Title: Stock gear	Date: 08/15/23	Rev. 1.00
Load In Date:	File name: AS Ribbon lift	Scale: As Noted	Sheet #: 3/5
<small>This drawing is the property of Accurate Staging and can not be duplicated, modified or used for any other purposes without written permission from Accurate Staging. Use of this drawing for bidding is strictly prohibited. Verify all dimensions, specifications and conditions before using this drawing for construction.</small>		Drawing by: Aletsy Torres	
<small>www.accuratestaging.com</small>			