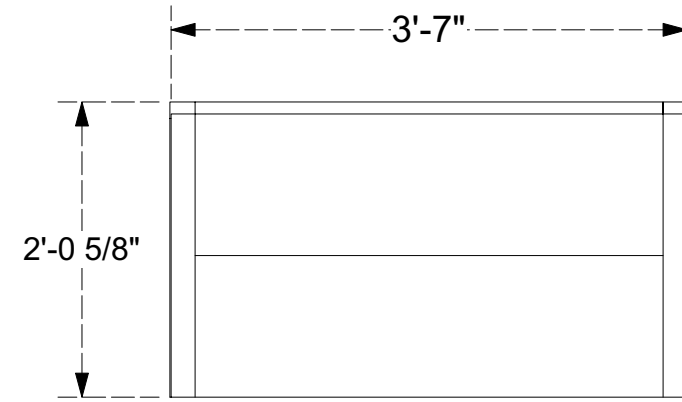


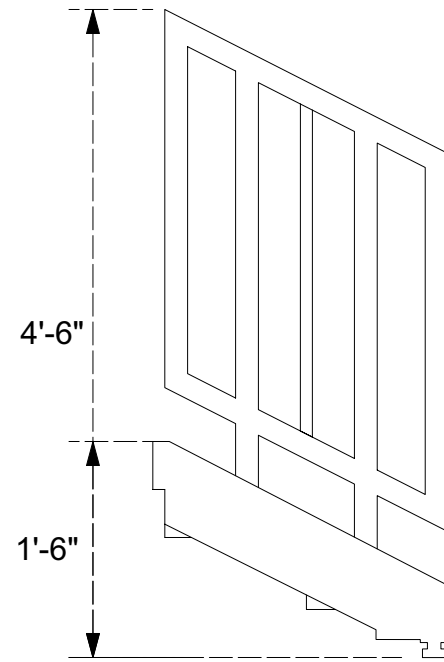
Leaner Stair 18"

Scale: Not to scale

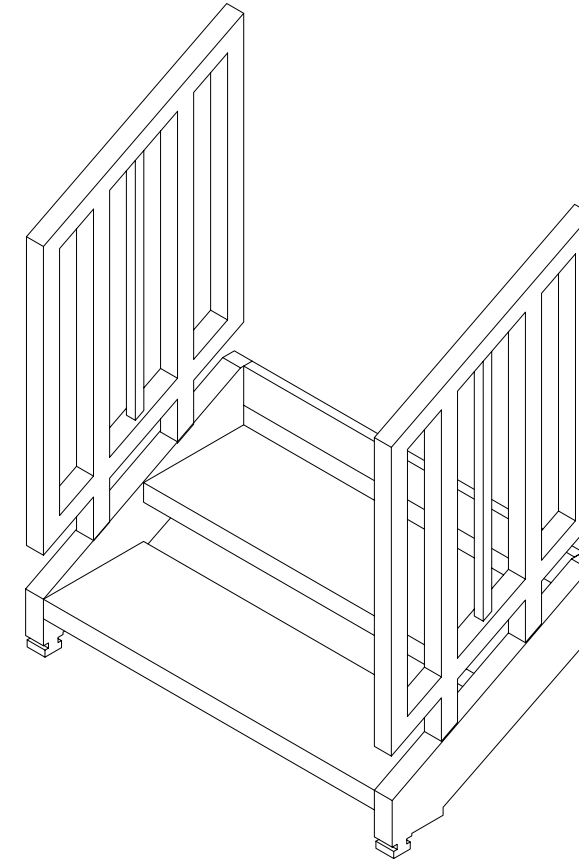
Note: Available with & w/out handrail.



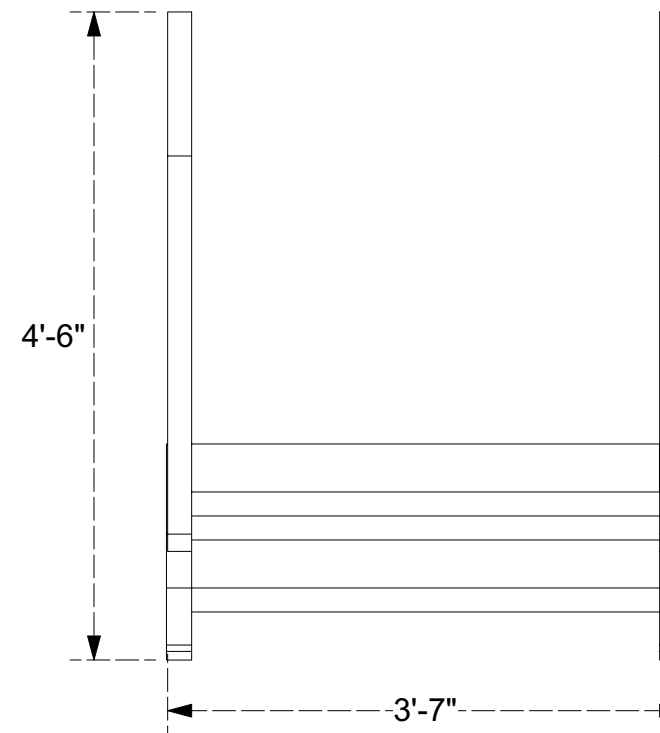
Top View



Side View



Iso View



Front View

Rev. 2.10

Date: 08/09/23

Scale: As Noted

Drawing by:
Accurate Staging

Sheet #:
9/26

Drawing Title: gear specs

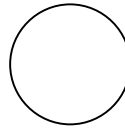
File name: Leaner 18"

Project Name: Leaners (Stairs Osha)

Load In Date:

This drawing is the property of Accurate Staging and can not be duplicated, modified or used for any other purposes without written permission from Accurate Staging. Use of this drawing for bidding is strictly prohibited. Verify all dimensions, specifications and conditions before using this drawing for construction. www.accuratestaging.com

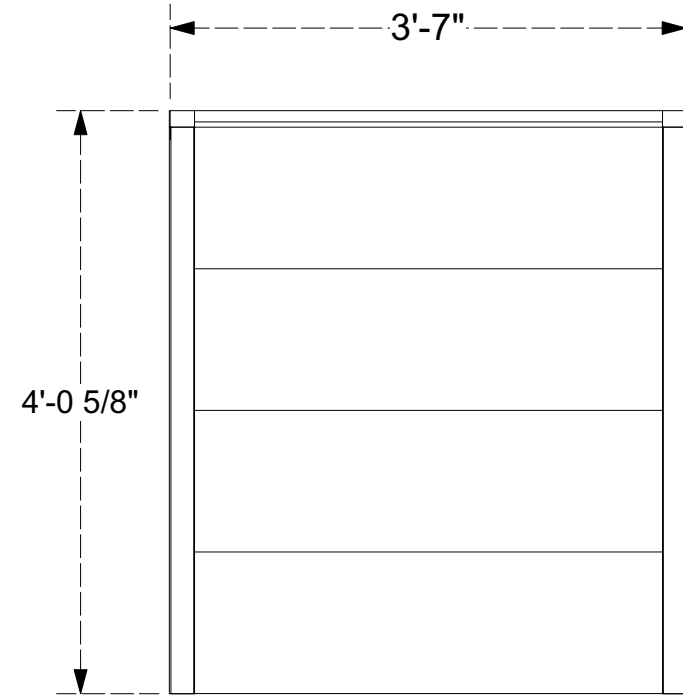




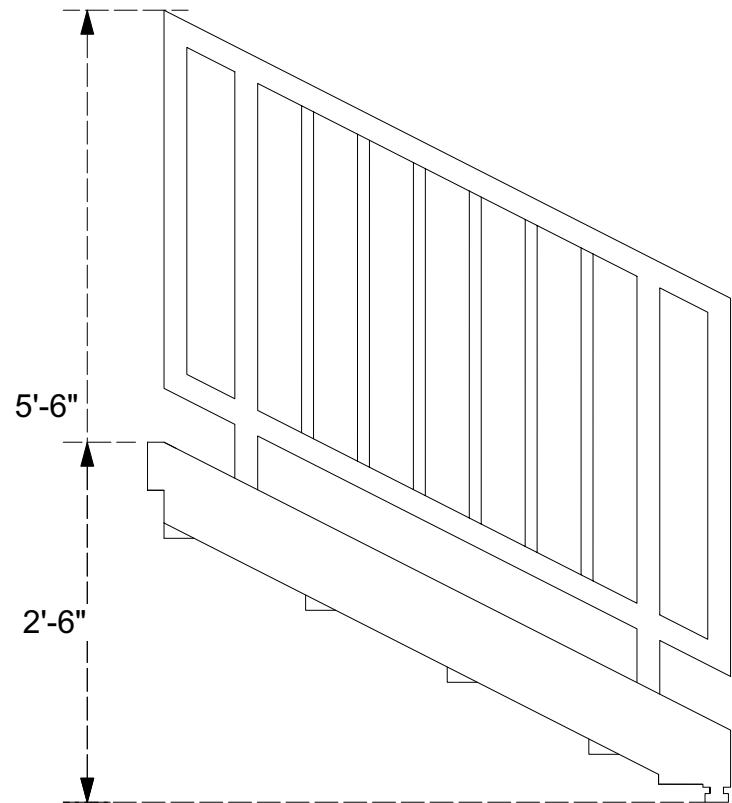
Leaner Stair 30"

Scale: Not to scale

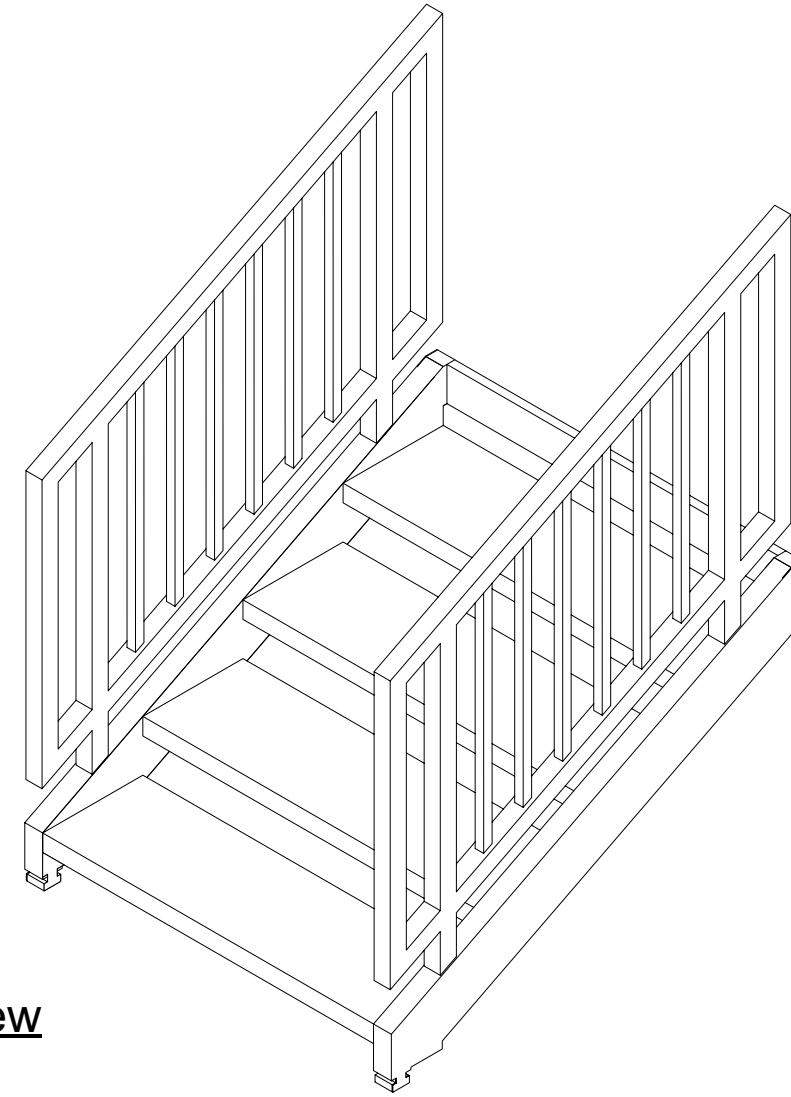
Note: Available with & w/out handrail.



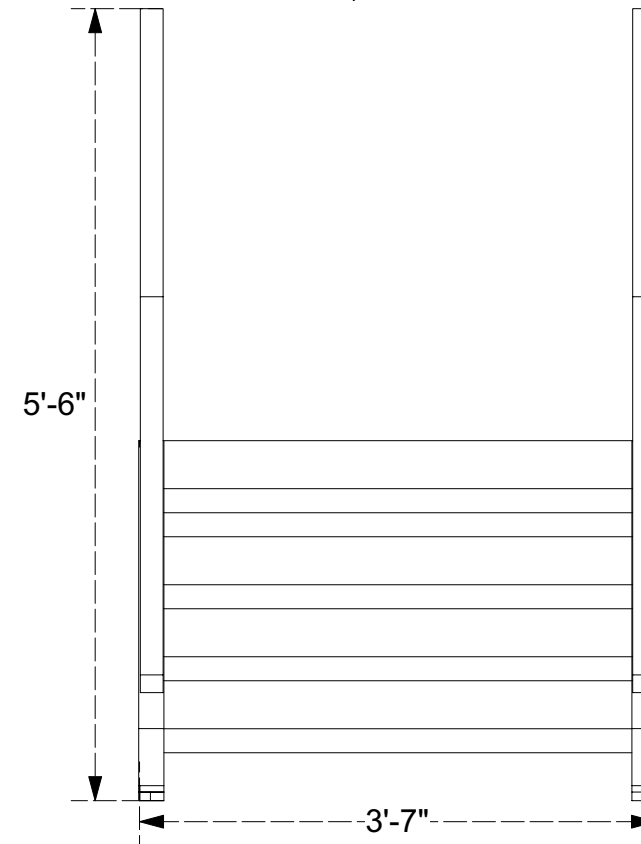
Top View



Side View



Iso View



Front View

Rev. 2.10

Date: 08/09/23

Scale: As Noted

Drawing by: Accurate Staging

Sheet #: 10/26

Drawing Title: gear specs

File name: Leaner 30"

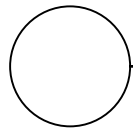
Project Name: Leaners (Stairs Osha)

Load In Date:

This drawing is the property of Accurate Staging and can not be duplicated, modified or used for any other purposes without written permission from Accurate Staging. Use of this drawing for bidding is strictly prohibited. Verify all dimensions, specifications and conditions before using this drawing for construction.

www.accuratestaging.com

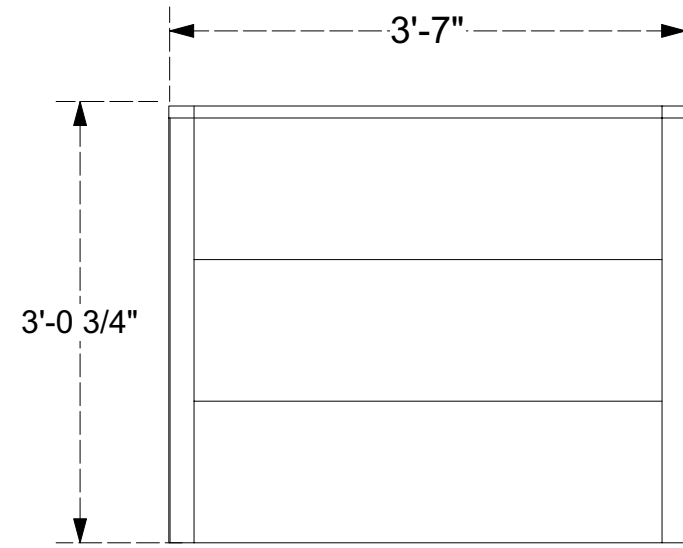




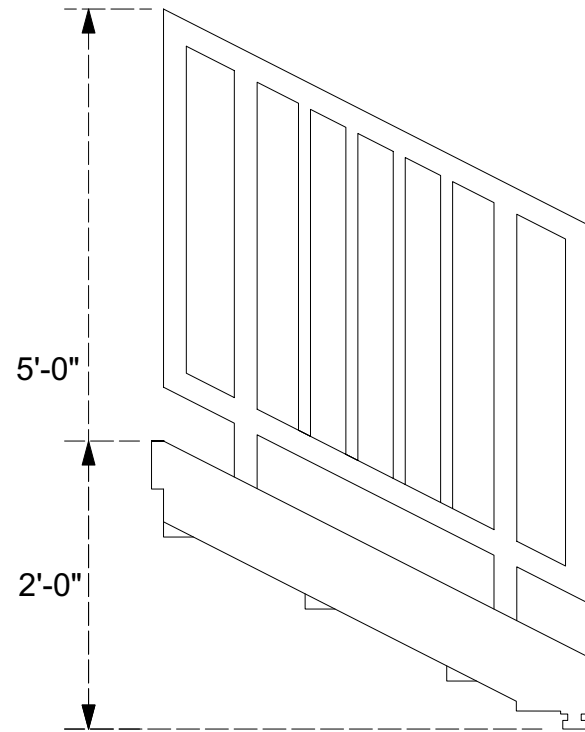
Leaner Stair 2'

Scale: Not to scale

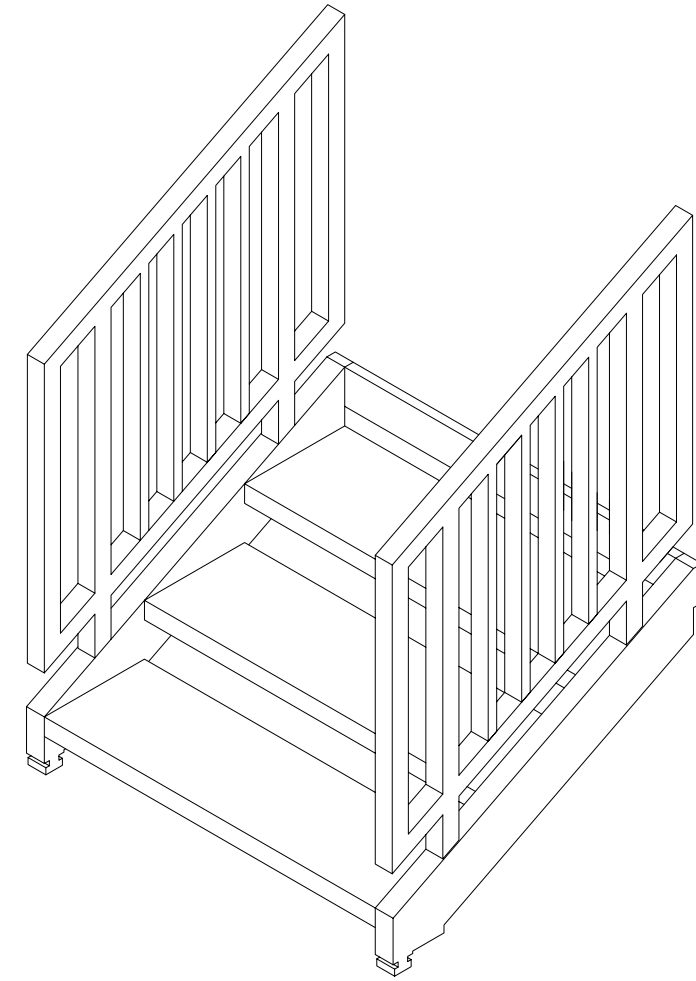
Note: Available with & w/out handrail.



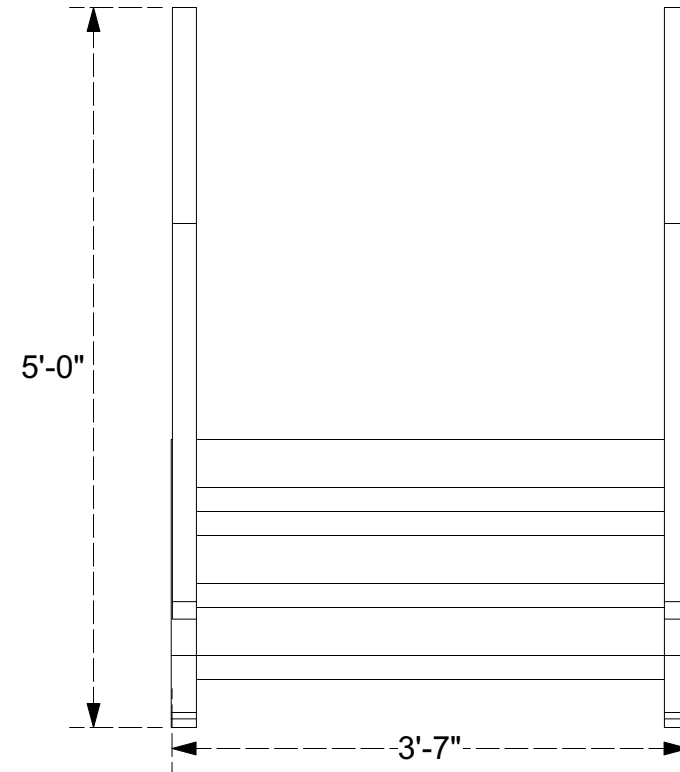
Top View



Side View



Iso View



Front View

Rev. 2.10

Date: 08/09/23

Scale: As Noted

Drawing by:
Accurate Staging

Sheet #:
11/26

Drawing Title: gear specs

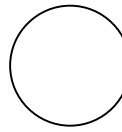
File name: Leaner 2'

Project Name: Leaners (Stairs Osha)

Load In Date:

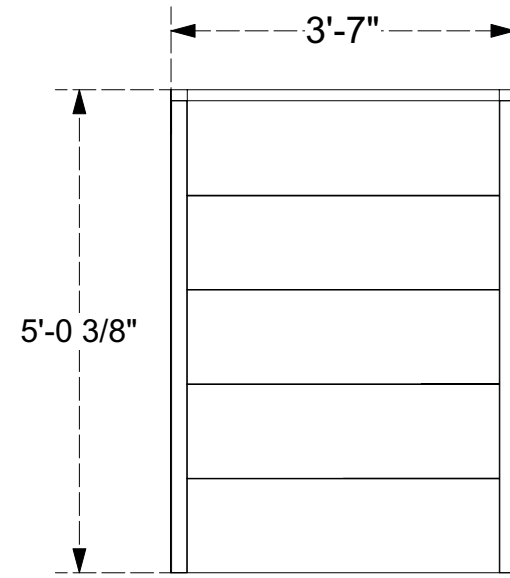
This drawing is the property of Accurate Staging and can not be duplicated, modified or used for any other purposes without written permission from Accurate Staging. Use of this drawing for bidding is strictly prohibited. Verify all dimensions, specifications and conditions before using this drawing for construction.
www.accuratestaging.com



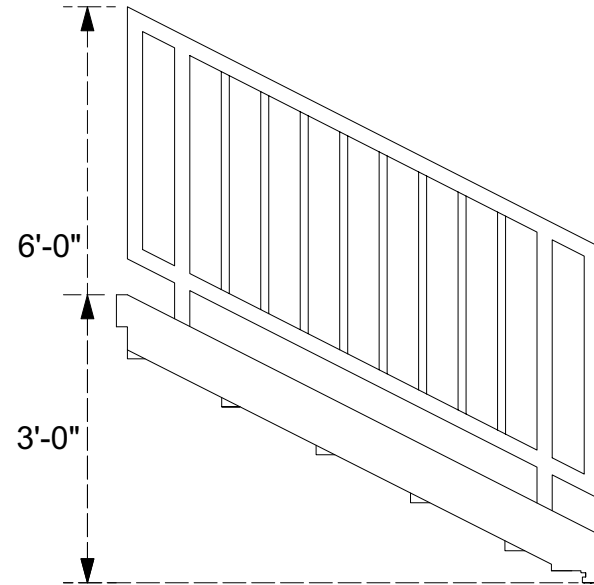


Leaner Stair 3'
Scale: Not to scale

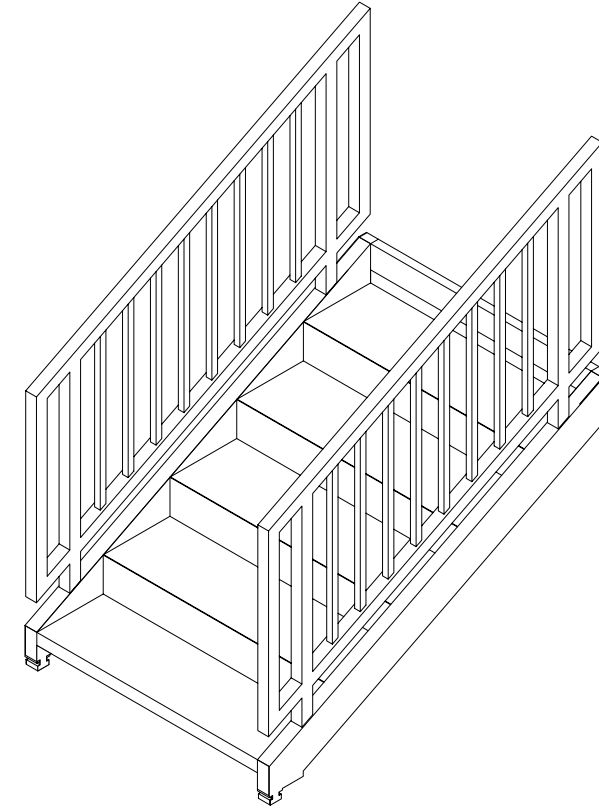
Note: Available with & w/out handrail.



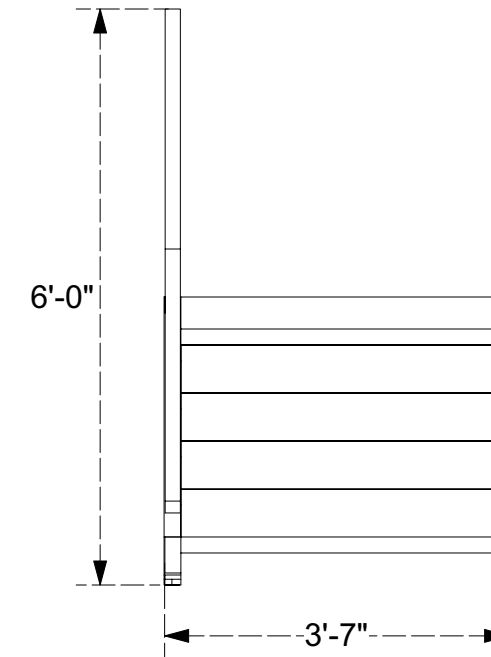
Top View



Side View



Iso View



Front View

Rev. 2.10

Date: 08/09/23

Scale: As Noted

Drawing by:
Accurate Staging

Sheet #:
12/26

Drawing Title: gear specs

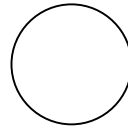
File name: Leaner 3'

Project Name: Leaners (Stairs Osha)

Load In Date:

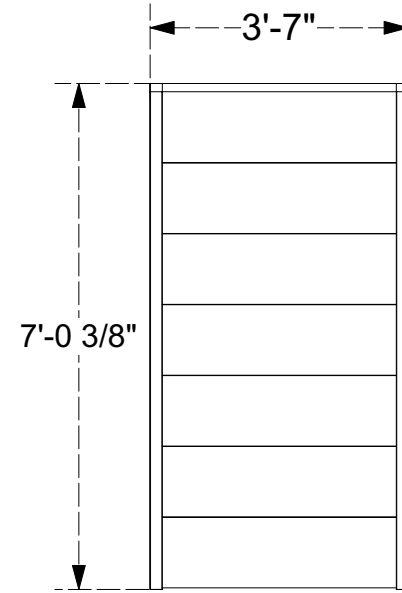
This drawing is the property of Accurate Staging and can not be duplicated, modified or used for any other purposes without written permission from Accurate Staging. Use of this drawing for bidding is strictly prohibited. Verify all dimensions, specifications and conditions before using this drawing for construction.
www.accuratestaging.com



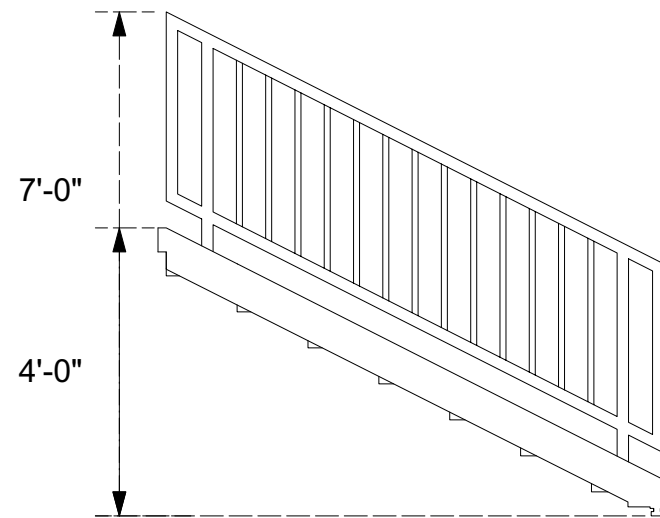


Leaner Stair 4'
Scale: Not to scale

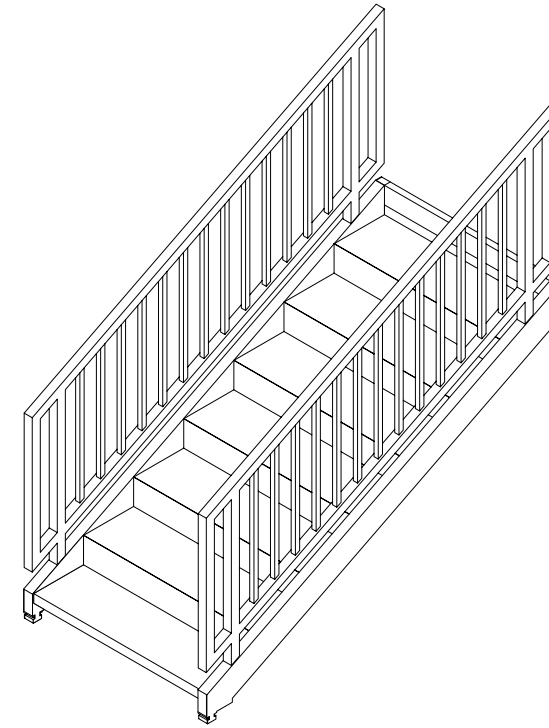
Note: Available with & w/out handrail.



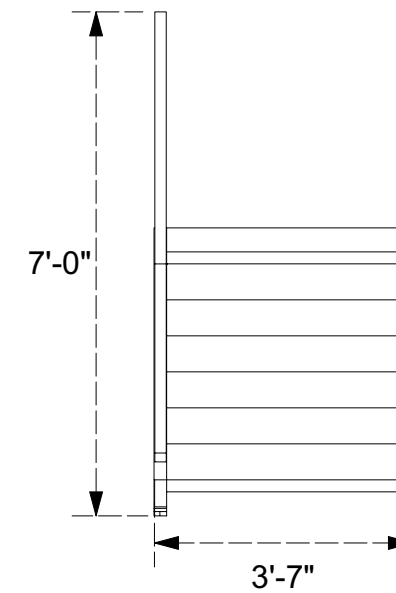
Top View



Side View



Iso View



Front View

Rev. 2.10

Date: 08/09/23

Sheet #: 13/26

Scale: As Noted

Drawing by: Accurate Staging

Drawing Title: gear specs

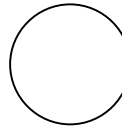
File name: Leaner 4'

Project Name: Leaners (Stairs Osha)

Load In Date:

This drawing is the property of Accurate Staging and can not be duplicated, modified or used for any other purposes without written permission from Accurate Staging. Use of this drawing for bidding is strictly prohibited. Verify all dimensions, specifications and conditions before using this drawing for construction. www.accuratestaging.com

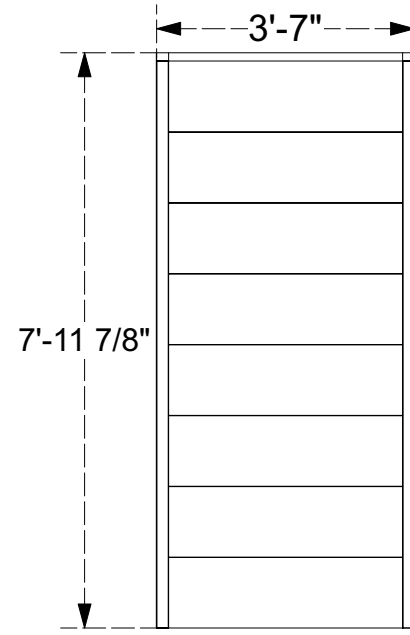




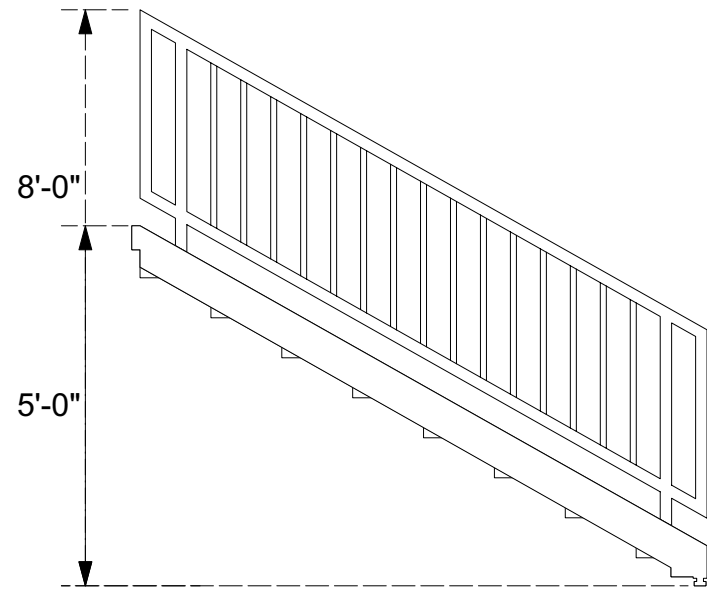
Leaner Stair 5'

Scale: Not to scale

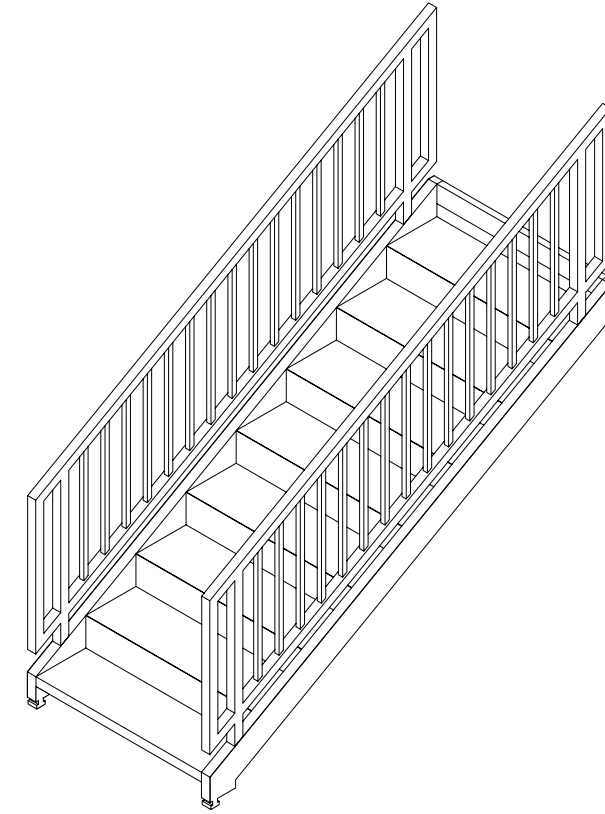
Note: Available with & w/out handrail.



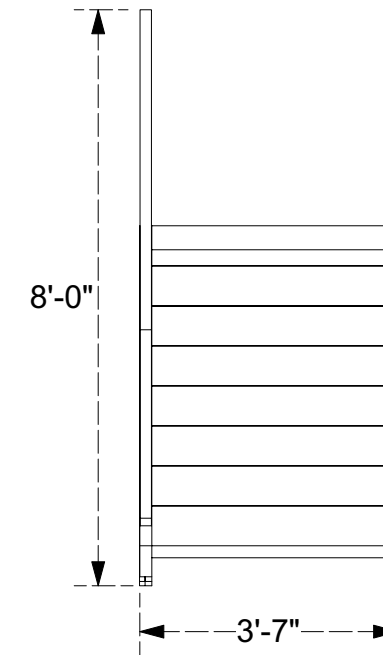
Top View



Side View



Iso View



Front View

Rev. 2.10

Date: 08/09/23

Scale: As Noted

Drawing by: Accurate Staging

Sheet #:

14/26

Drawing Title: gear specs

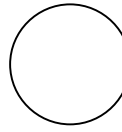
File name: Leaner 5'

Project Name: Leaners (Stairs Osha)

Load In Date:

This drawing is the property of Accurate Staging and can not be duplicated, modified or used for any other purposes without written permission from Accurate Staging. Use of this drawing for bidding is strictly prohibited. Verify all dimensions, specifications and conditions before using this drawing for construction. www.accuratestaging.com

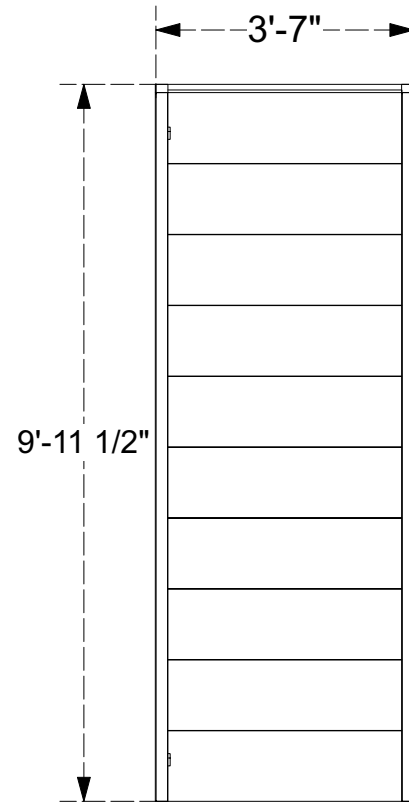




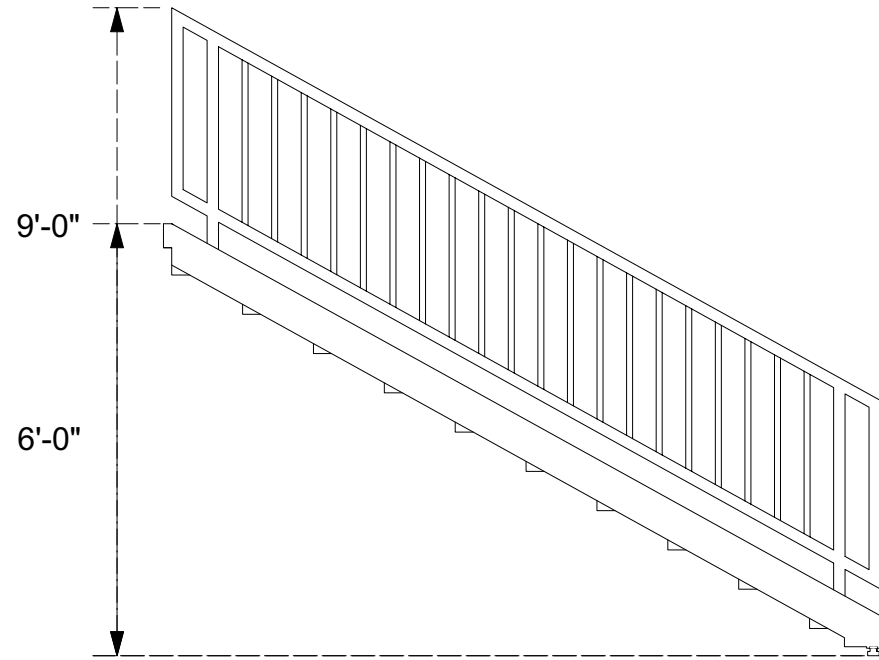
Leaner Stair 6'

Scale: Not to scale

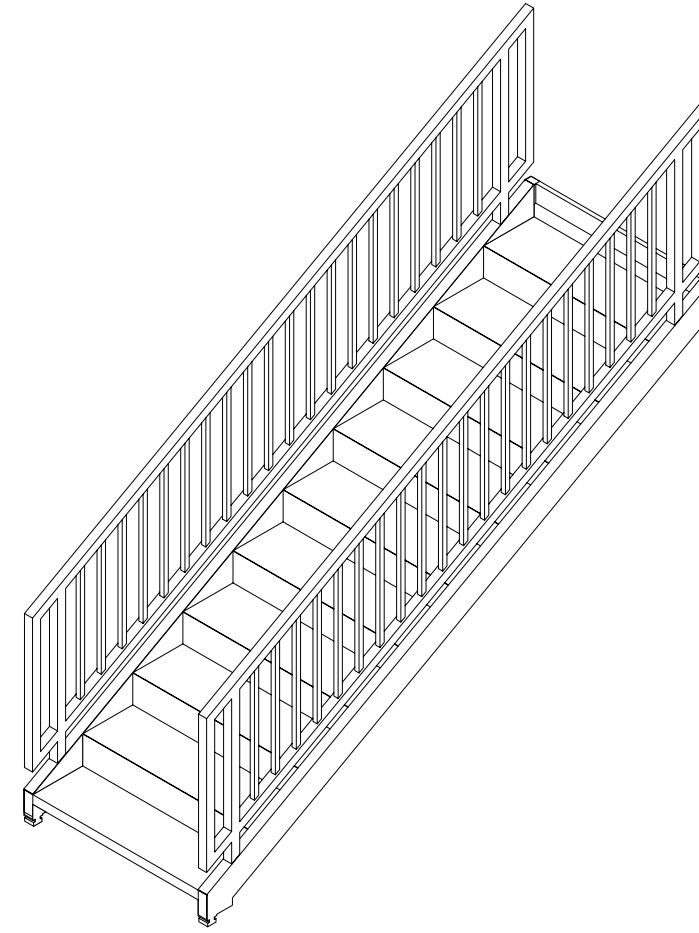
Note: Available with & w/out handrail.



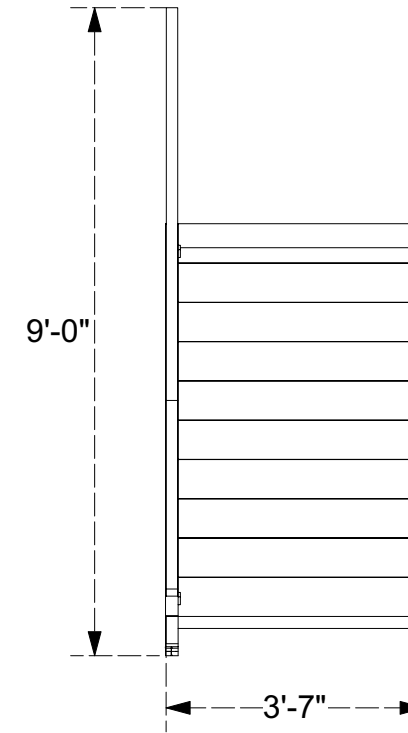
Top View



Side View



Iso View



Front View

Rev. 2.10

Date: 08/09/23

Scale: As Noted

Drawing by: Accurate Staging

Sheet #: 15/26

Drawing Title: gear specs

File name: Leaner 6'

Project Name: Leaners (Stairs Osha)

Load In Date:

This drawing is the property of Accurate Staging and can not be duplicated, modified or used for any other purposes without written permission from Accurate Staging. Use of this drawing for bidding is strictly prohibited. Verify all dimensions, specifications and conditions before using this drawing for construction. www.accuratestaging.com

