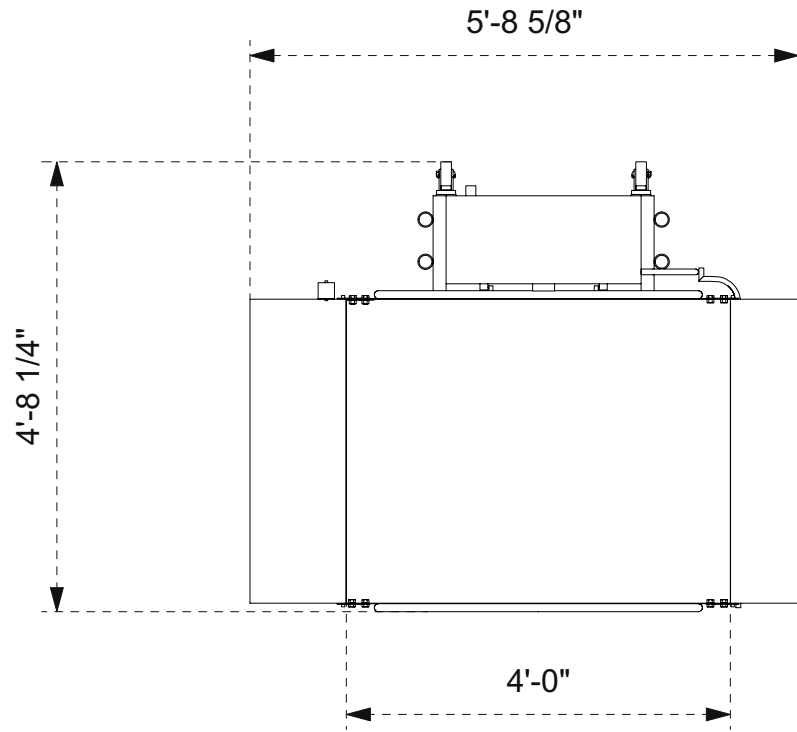
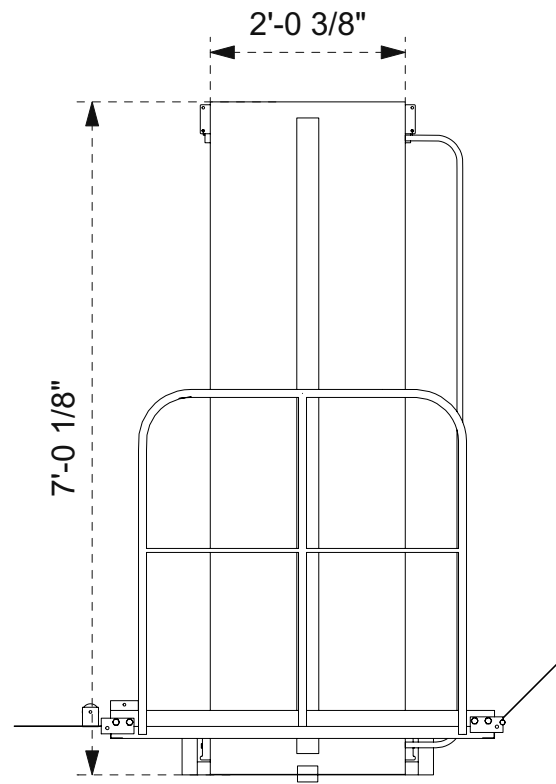


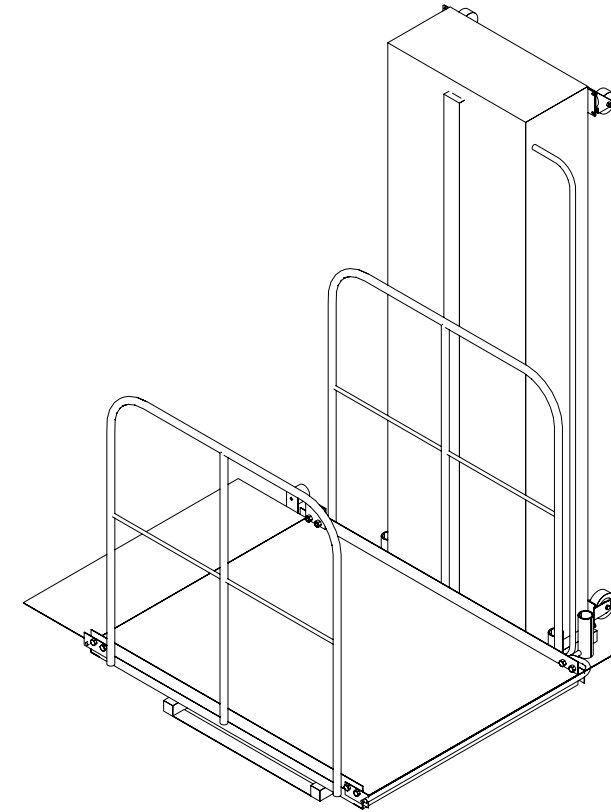
**Note: Remote and limit switches available.**  
**Note: Various Heights Available.**



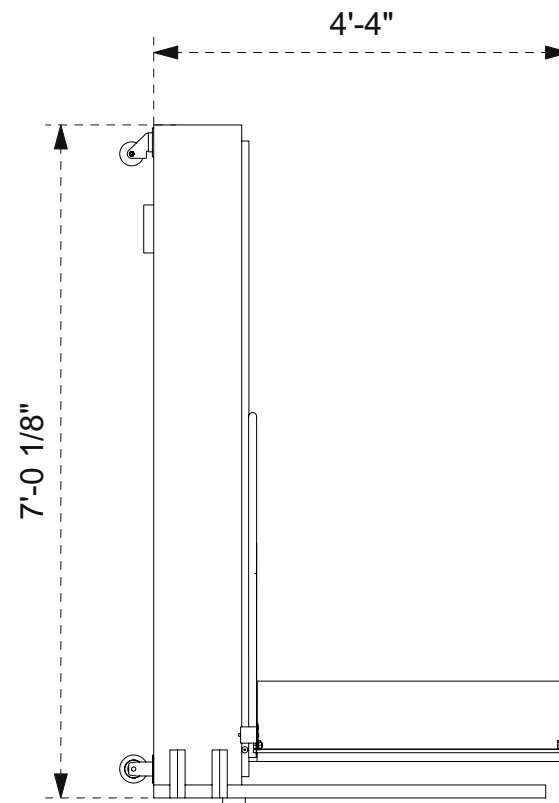
Plan View



Front View



Iso View



Side View

**Power: 3 phase 208**  
**Max Weight: 750 lbs**  
**Approx Unit Weight: 475lbs**