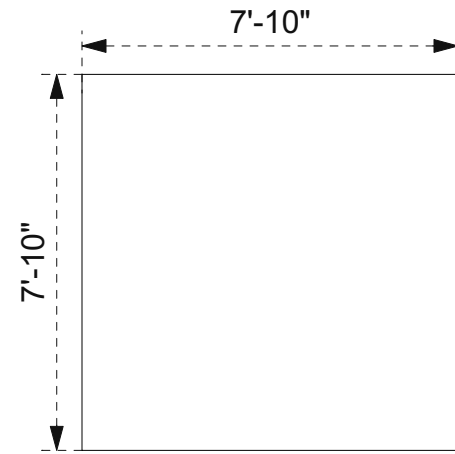


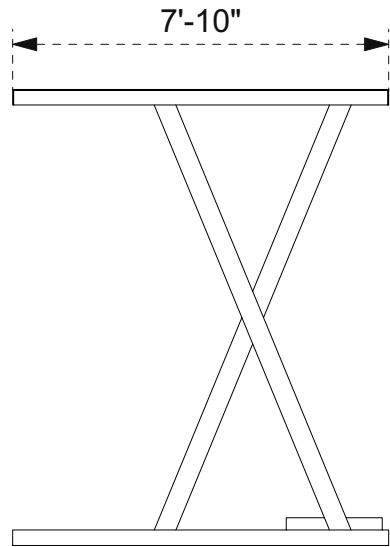
8' x 8' Hydraulic Lift

Scale: Not to scale

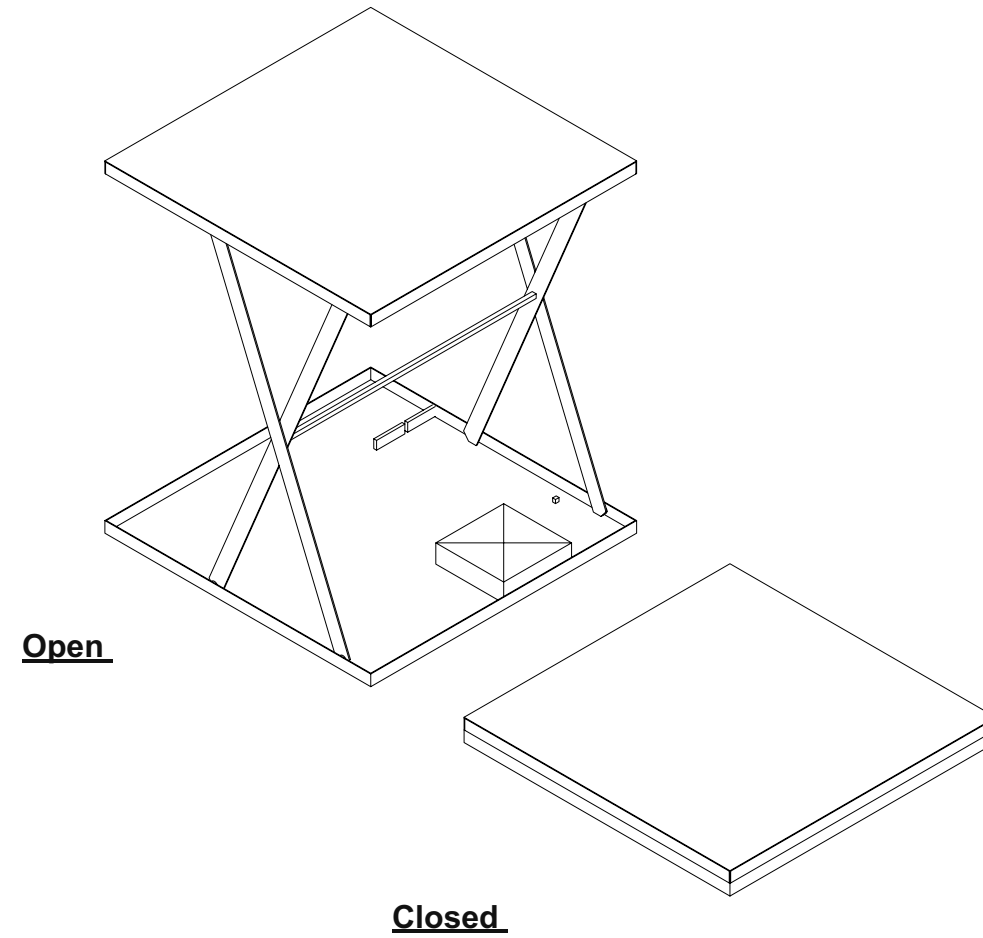
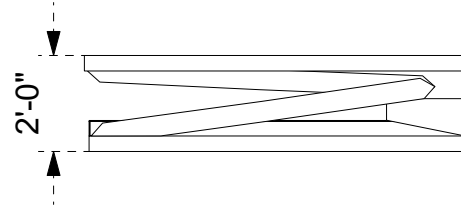
Note: Remote and limit switches available.



Plan View



Front View



Power: 3 phase 208
Minium Height: 2'.
Max. Height: 12'
Approx Unit Weight: 2,950 lbs

Rev. 1.00

Date: 08/15/23

Scale: As Noted

Drawing by:
Aleisy Torres

Sheet #:
4/5

Project Name: Lifts
Drawing Title: Stock gear

Load In Date:
File name: 8'x8' Hydraulic Lift

This drawing is the property of Accurate Staging and can not be duplicated, modified or used for any other purposes without written permission from Accurate Staging. Use of this drawing for bidding is strictly prohibited. Verify all dimensions, specifications and conditions before using this drawing for construction. www.accuratestaging.com

