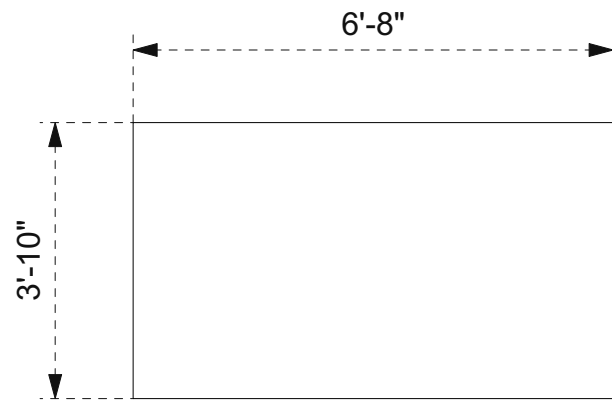
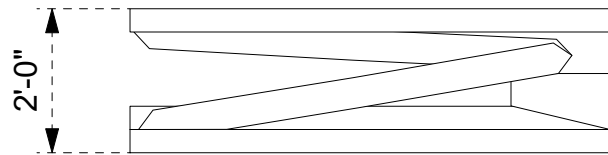


4' x 8' Hydraulic Lift  
Scale: Not to scale

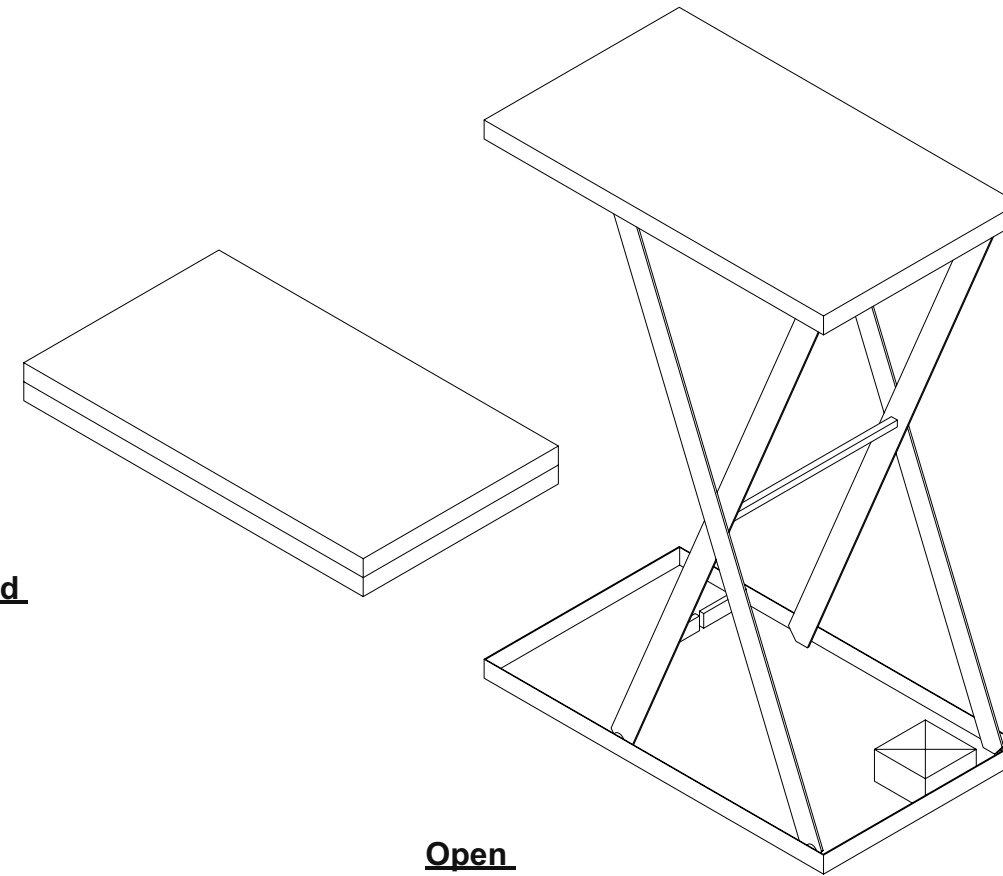
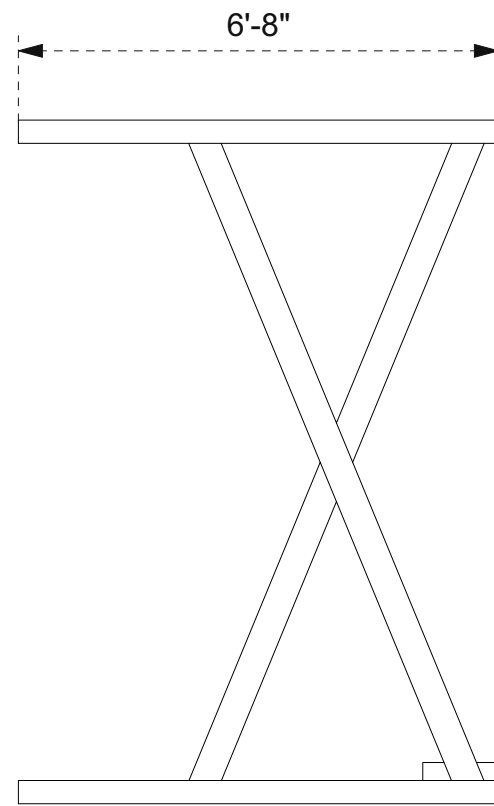
**Note:** Remote and limit switches available.



Plan View



Front View



Closed

Open

**Power :** 3 phase 208  
**Min. Height:** 2'  
**Max. Height:** 12'  
**Approx Unit Weight:** 1,800 lbs

Project Name: Lifts Load In Date:	Date: 08/15/23	Rev. 1.00
	Scale: As Noted	Sheet #: 1/5
Drawing Title: Stock gear		Drawing by: Aletsy Torres
File name: 4'x8' Hydraulic Lift		
<small>This drawing is the property of Accurate Staging and can not be duplicated, modified or used for any other purposes without written permission from Accurate Staging. Use of this drawing for bidding is strictly prohibited. Verify all dimensions, specifications and conditions before using this drawing for construction.</small>		
<a href="http://www.accuratestaging.com">www.accuratestaging.com</a>		

