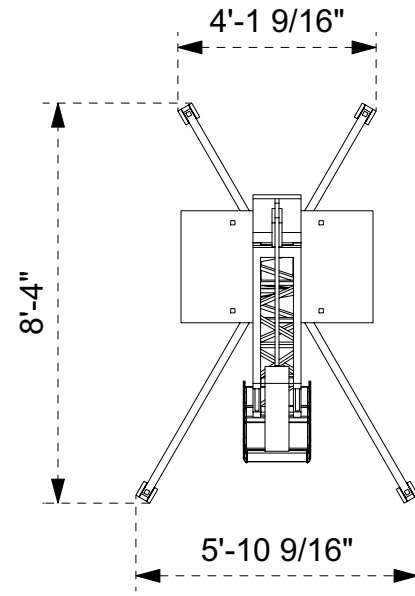


# Mini line Array

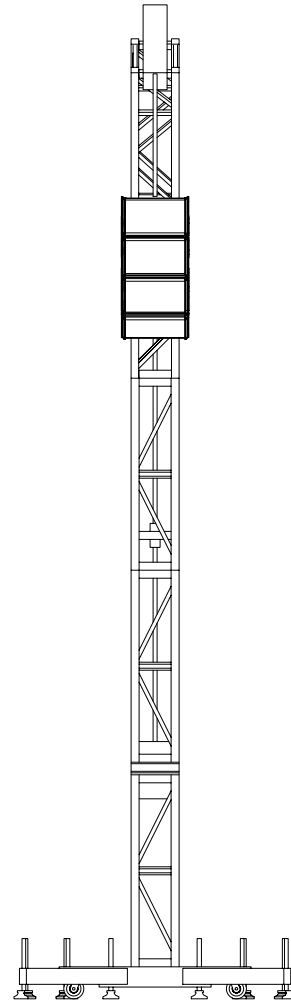
Scale: not to scale

Note: Various Heights Available.

Plan View

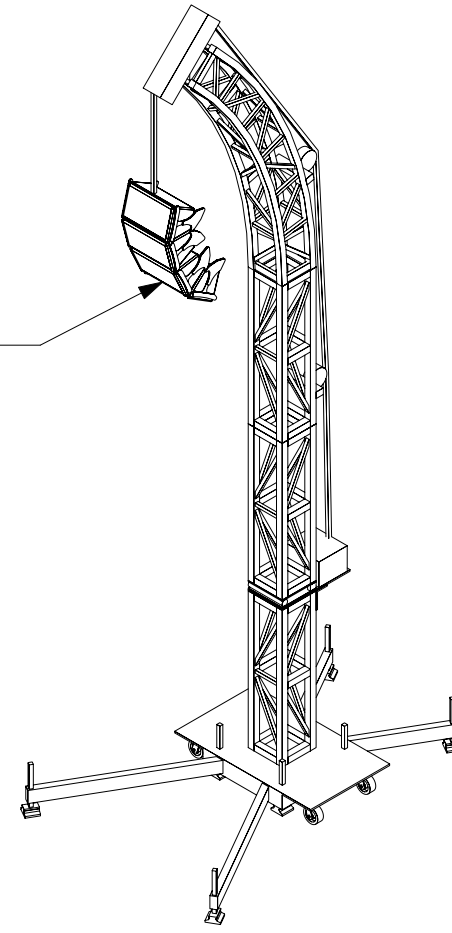


Front View



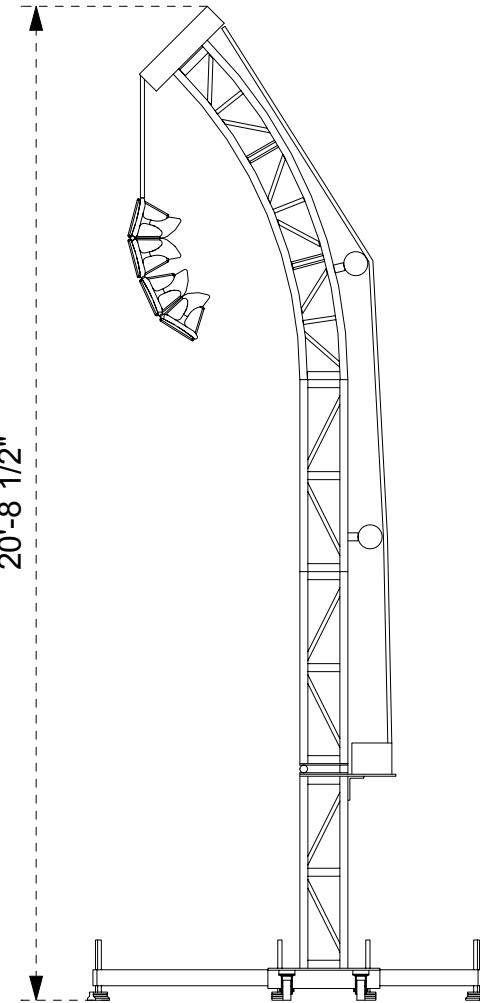
Iso View

Max Load: 750 lbs



Side View

20'-8 1/2"



Project Name: Accurate Staging

Load In Date:

Drawing Title: Gear Specs

File name: Mini Line Array

Date: 08/15/23

Scale: As Noted

Drawing by:  
Aleisy Torres

Rev. 1.00

Sheet #:  
6/6

This drawing is the property of Accurate Staging and can not be duplicated, modified or used for any other purposes without written permission from Accurate Staging. Use of this drawing for bidding is strictly prohibited. Verify all dimensions, specifications and conditions before using this drawing for construction.

www.accuratestaging.com

