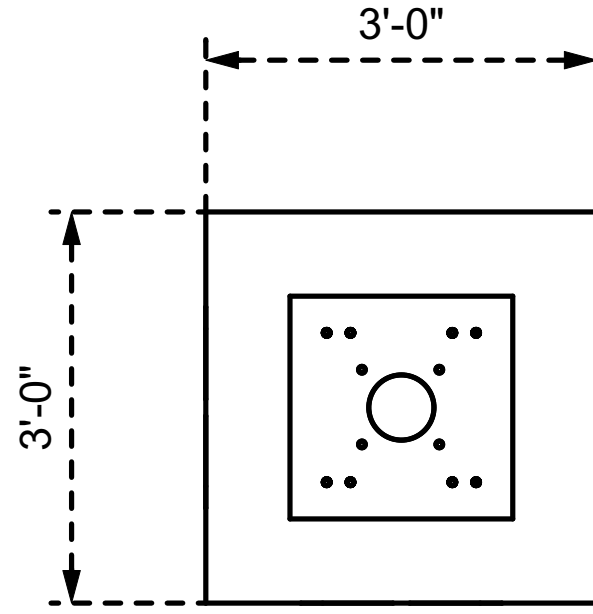
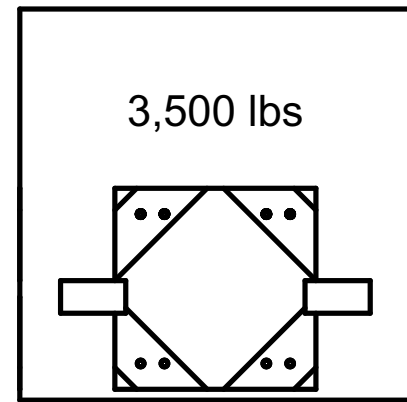


Concrete Ballast 20.5 (3,500lbs)

Scale:



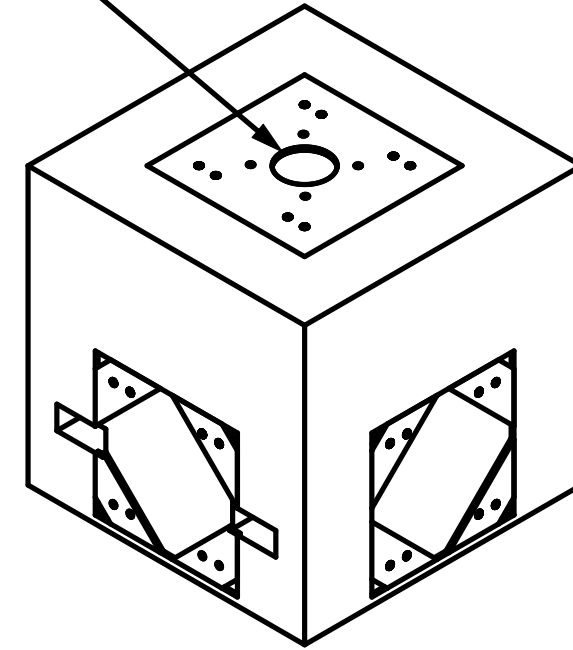
Top View



Front View

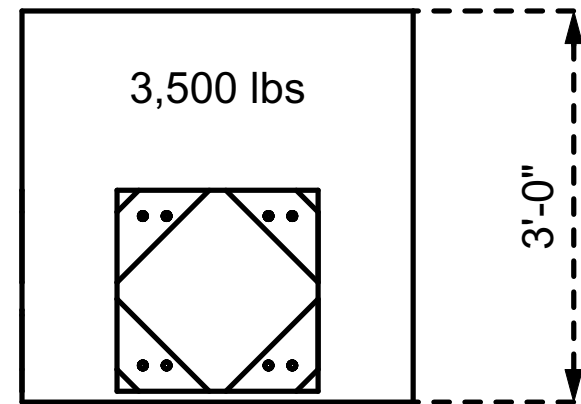
20.5" Truss 5 Side Connection

20.5" & 12" Truss Connection



Iso View

Note: Spacers Available To Attach To Any Corner Or Edge



Right View

Rev. 1.00

Date: 08/15/23

Scale: As Noted

Drawing by:
Aleisy Torres

Drawing Title: Gear Specs

File name: Ballast.vwx

Project Name: Accurate Staging

Load In Date:

This drawing is the property of Accurate Staging and can not be duplicated, modified or used for any other purposes without written permission from Accurate Staging. Use of this drawing for bidding is strictly prohibited. Verify all dimensions, specifications and conditions before using this drawing for construction. www.accuratestaging.com

