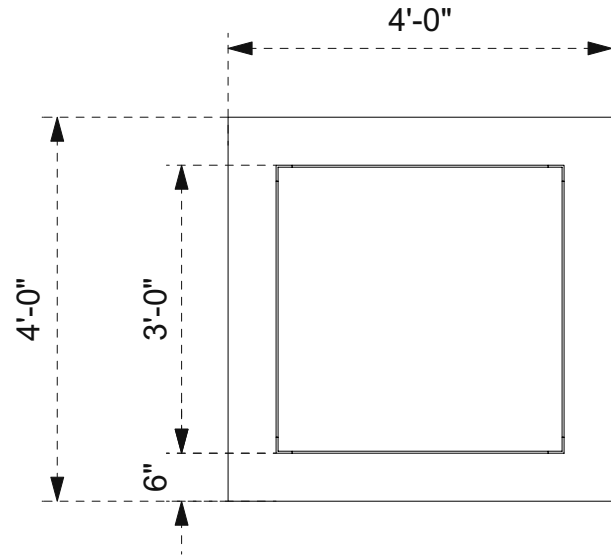
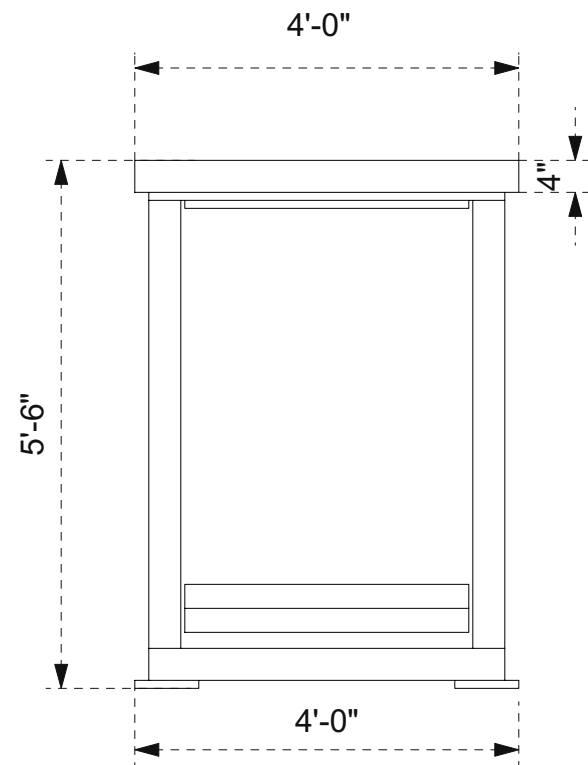


4' x 4' StarLift
Scale: Not to scale

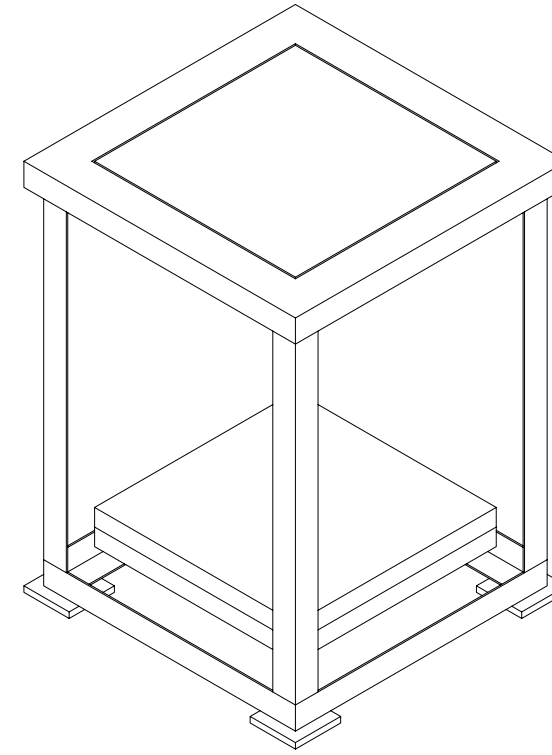
Note: Remote and limit switches available.
Note: Various Heights Available.



Plan View



Front View



Iso View

Power : 3 phase 208
Approx Unit Weight: 610 lbs

Project Name: Lifts	Date: 08/15/23	Rev. 1.00
	Scale: As Noted	Sheet #: 2/5
Load In Date:	Drawing by: Aletsy Torres	
Drawing Title: Stock gear		
File name: 4'x4' Star Lift		
<small>This drawing is the property of Accurate Staging and can not be duplicated, modified or used for any other purposes without written permission from Accurate Staging. Use of this drawing for bidding is strictly prohibited. Verify all dimensions, specifications and conditions before using this drawing for construction.</small>		